


PRODUCT SHEET

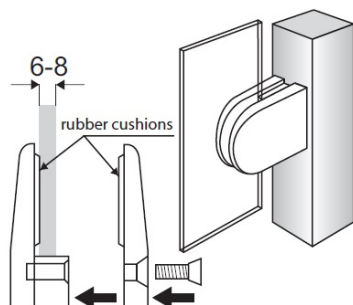
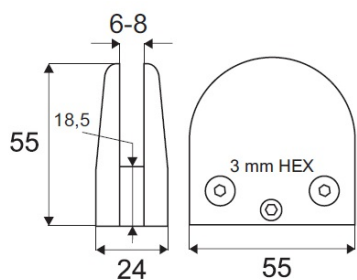
Description:

Glass Clamp, "Large", Zamak, Gold Plated, F/Thickness 6-8mm

Item number:

22.10.151-1

Units	Box	Carton	HS Code	Barcode
Pcs.	10	100	8302419000	 5704866082952



SISO A/S
Mileparken 11
DK-2740 Skovlunde
Denmark
VAT: DK 24786013

Phone +45 45 830 900
www.siso.dk
siso@siso.dk

Danske Bank
Nytorv Branch
Copenhagen
SWIFT: DABADKKK

Account no.
4180 3112 112936
IBAN Account
DK7230003112112936